

# METERING PUMPS

## GENERAL FEATURES

**Plunger Metering Pump with eccentric movement, spring return and flow regulation with manual control.**

The PD S plunger metering pump has been designed and constructed to meet the most varied metering demands of liquids and chemical reagents.

This pump features simple and tested operating principles, yet it does not forgo the high metering precision that characterises all Sodi Scientifica pumps.

Its sturdy and compact structure assures high performance in heavy-duty applications and makes its maintenance very straightforward.



- Motor type MEC 56 Special Tropicalized
- Gear motor in oil bath
- Eccentric crank mechanism with spring return

- Protection level IP 55
- Power supply 230 V single-phase or 400 V three-phase
- Analog flow indicator

The features listed here are available in a very wide number of combinations to meet any need.

## PERFORMANCE AND CONSTRUCTION FEATURES

NOMINAL PERFORMANCE	Max flow rate <sup>(1) (2)</sup>	l/h	5	10	15	15	30	45
	Max. press. with three-phase motor	bar	10	10	10	10	10	10
	Max. press. with single-phase motor	bar	7	3	3	3	3	3
CONSTRUCTION FEATURES	Stroke length	15 mm						
	Plunger DN, mm	16	16	16	27	27	27	
	Strokes / 1' (SPM)	45	90	135	45	90	135	
	Connections	7/10 mm hose connector						
	Valve type	Single sphere, Single sphere with spring AISI316 (PVC valve body only), High viscosity						

Notes: (1) Minimum flow rate is equal to 10% of maximum

(2) With 60 Hz motor flow rate increases by 20%

## CONSTRUCTION MATERIALS

COMPONENTS	TYPE
Head and valve body	Glass fibre filled polypropylene
Plunger	Ceramic
Valves	Ceramic, AISI316 stainless steel, Glass, PTFE
Seals	FPM (Viton®), EPDM
Pump body	Light Alloy
Painting	RAL 6011 Nitrosynthetic enamel

## MANUAL FLOW REGULATION

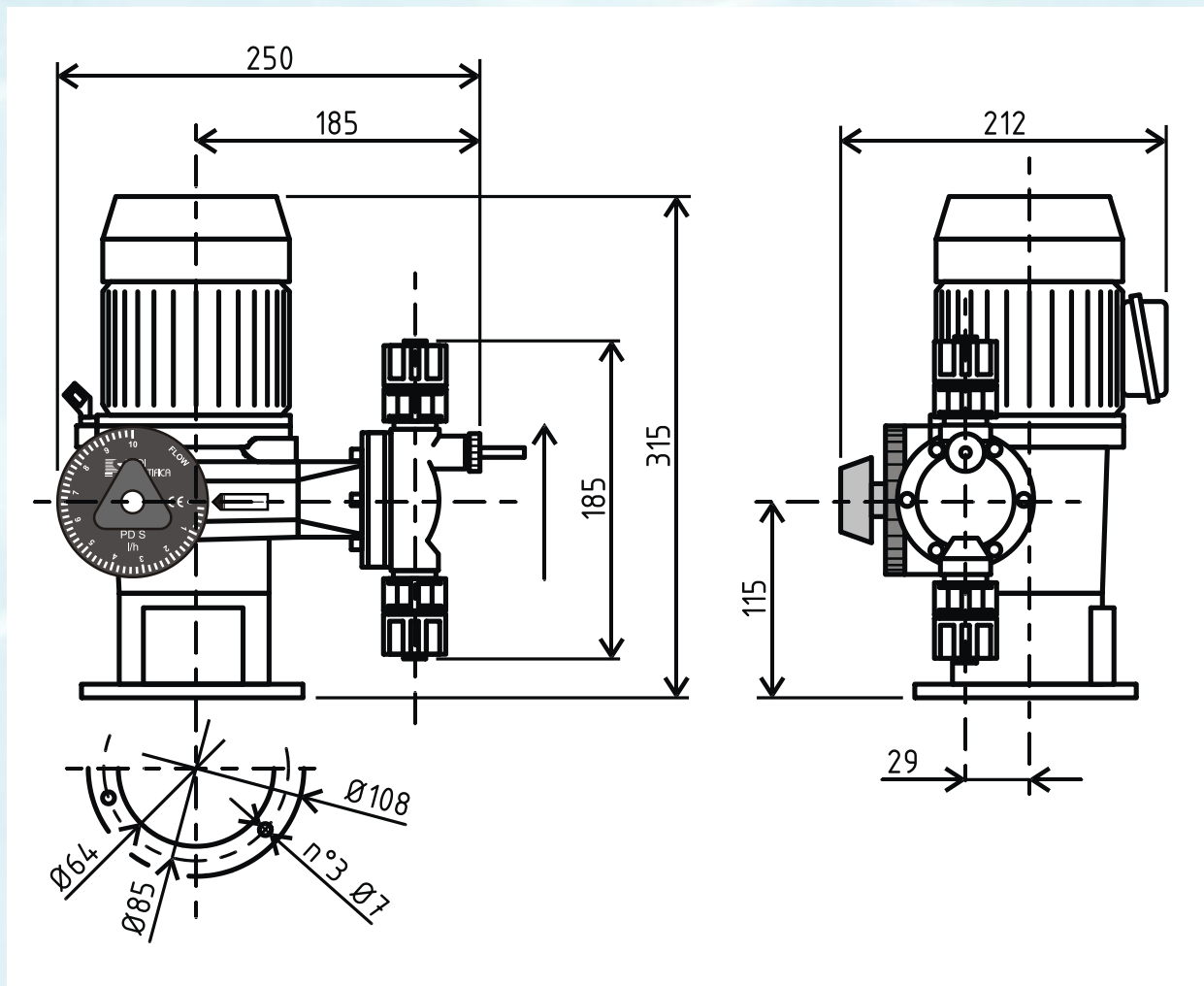
Manual regulation when stationary or in motion: Theoretical 0-100%, Useful 10-100%. Plunger stroke length is regulated through a manual rotation of a graduated wheel with locking knob. The flow rate is indicated on a printed analog scale.



## SUPPLIED ACCESSORIES

Polyethylene Hose 7/10	4,5 m	Set of head seals	1
AS 1/2" Valve	1	Foot valve with filter	1
Vent hose	1	Plunger disassembly wrench	1

## WEIGHTS AND DIMENSIONS



• Net weight kg. 5.60

• Gross weight kg. 5.80

• Packaging dimensions  
mm 340x270x240

For additional information, to be contacted by the area agent or to receive the .dwg file of the above pump please contact the sales department of Sodi Scientifica at the e-mail address [info@sodi.com](mailto:info@sodi.com)